



By appointment to The Royal Danish Court

morsø



2013 / 2014

— 160 YEARS —
of special moments

For more than 160 years, Morsø has spread warmth through our homes, creating memorable moments of pure happiness, closeness, peace of mind. And comfort.

A choice for life

When you eventually put this literature down, the likelihood is you'll be sold. You'll have fallen for Morsø's timeless look. You'll have fallen in love with cast iron's unique properties. And you'll be convinced of our stoves' obvious advantages for the environment.

But believe us – when you describe your relationship with your Morsø in the future, it won't be the design, the cast iron or the stove's green-friendly impact which will fuel your fondness. By then, your stove will have already become one of the most-loved items of furniture in your home. A trusty source of comfort, you will love it for its sound, look and warmth. And for the glow of happiness it has spread throughout the house year after year.

To choose a Morsø is, in other words, to make a choice for life.



a choice for life

CONTENTS

4	Morsø's history
6	Choosing the right stove for you
8	The 1400 series
16	The 3100 series
18	The 3400 series
20	The 2100 series
22	1630
23	7110
24	The 6100 series
26	The 7400 series
32	The 7600 series
34	The 7900 series
40	The 8100 series
42	The 5660 insert
44	3610
45	2100 panther gas
46	The environmental standards
52	The S series
60	The Ø collection
62	Morsø original accessories

Morsø reserves the right to change specification without prior notice. This brochure does not replace the installation manual which provides more detailed information.

A long history. Told in brief.



The history of Morsø Jernstøberi dates all the way back to 1853, when business graduate, N. A. Christensen, started his own iron foundry on the Limfjord island of Mors. In the first few years, the small handful of employees manufactured everything from barn windows and memorial crosses to cooking stoves, pots and pans.

However, N. A. Christensen wasn't just your usual business man. With his well-honed talent for good business and his many creative and forward-thinking ideas, he quickly succeeded in turning the company into one of the country's leading iron foundries, and towards the close of the century, Morsø's cast goods were well-known throughout the country. Especially the popular solid fuel stoves and cooking stoves, which had now become the company's most important brand.

Royal warmth

At the turn of the century, Morsø began supplying heating systems to churches, schools and a number of public buildings, including the state railways and various ministries. And at the start of the 1900s, the popular imperial-style stoves found their way into the royal apartments at Amalienborg. In 1915, various stoves had already been supplied to the palaces at Amalienborg and to several other royal residences, and the company was therefore bestowed the prestigious title of Purveyor to His Majesty the King by King Christian X. Later, in 1969, the title was changed to Purveyor to the Royal Danish Court.

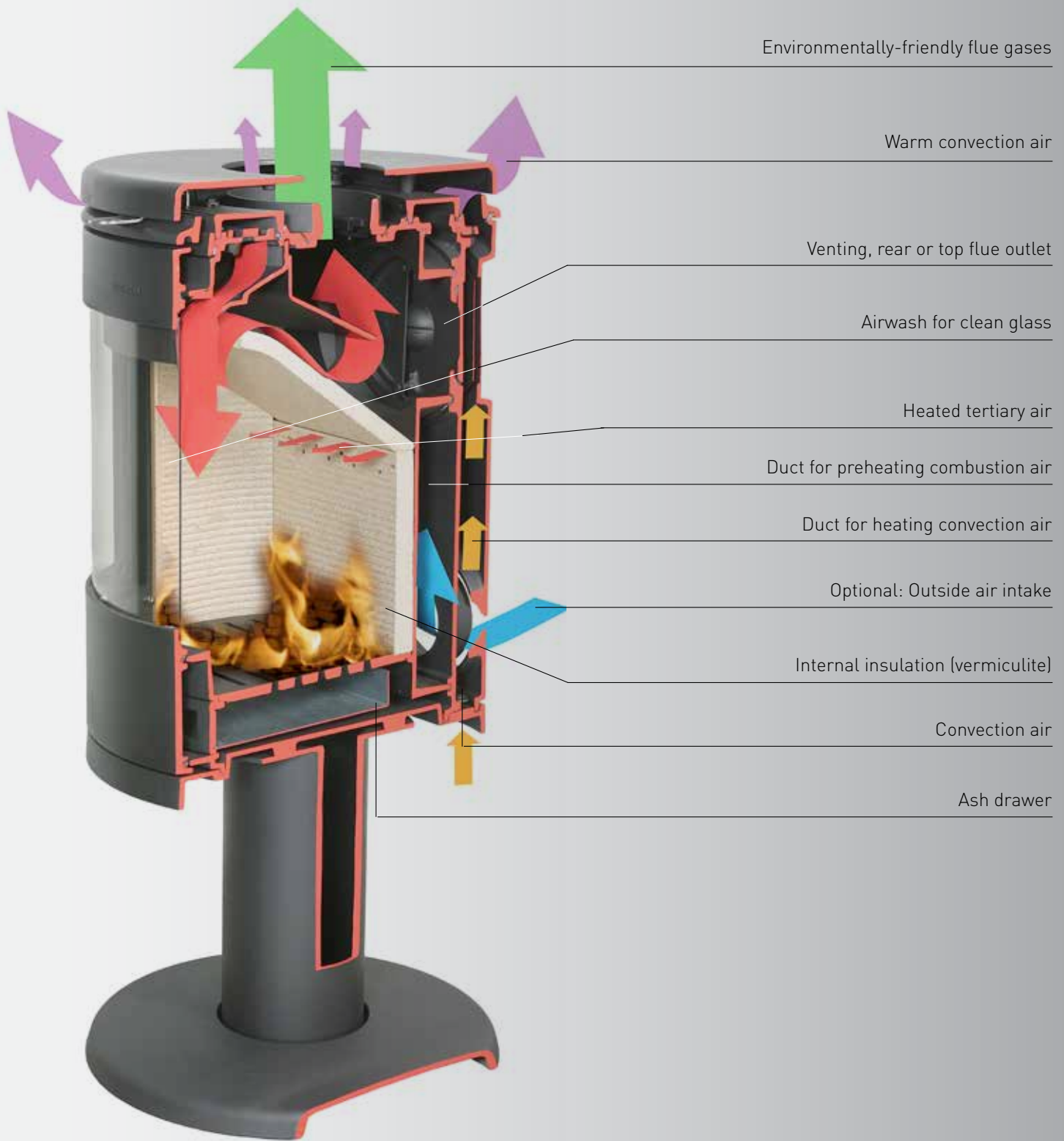


Always in front

Right from the earliest years, development and innovation have been an important driving force for Morsø Jernstøberi. Various history-making products and principles have, therefore, put the beautiful island in Limfjord on the map. For example, the convection principle, which at the turn of the new century was developed in cooperation with other foundries, and which has set completely new standards on how efficiently and especially how comfortably we can heat our homes with a solid fuel stove.

When central heating and, therefore, radiators began to make their mark in Danish homes in the 1950s, the solid fuel stove was out of fashion. But Morsø showed once again that it had its finger on the pulse, when the revolutionary open fireplace stove, the 1122, was launched. In so doing, Morsø opened up a completely new market and a completely new way of making life warmer, in both senses of the word.

In summary, Morsø has, step by step, led the way in both new designs and new ways of combining form and function; efficiency with beauty and comfort – and also in recent years with environmental awareness.



We're hot for fire. One of our most important areas of expertise is the production of environmentally-aware stoves, and we happily describe ourselves as experts in combustion technology. The cross-section of the stove shown above outlines the stove's combustion and convection airflow system. Cold air is drawn into the stove and heated as it passes through the cast iron channels (the heated air washes the glass keeping it clean, clear and free from soot).

The hot air also provides perfectly heated combustion air (in addition the heated tertiary air aids secondary combustion of any smoke and gasses, increasing efficiency and reducing the environmental impact).



Choosing the right stove for you

The Morsø range is extensive and comprises of stoves to cover a whole variety of needs. So, despite the fact that the natural thing to do is let taste and appeal decide, start by looking at the various models' and designs. We recommend you consider a few points first.

Radiant or convection stove?

There are two different types of stove: radiant stoves and convection stoves. The radiant stove concentrates the heat around the stove itself, while the convection stove quickly distributes the heat out into the whole room. The type you choose will therefore greatly depend on what you want your stove to do. If you want cosiness and warmth close to the stove, the radiant stove is a good choice. If, on the other hand, the stove is also to play an effective role in heating your home as a primary heat source, you should choose a convection stove.

What size?

The size of your stove is decisive for getting full pleasure of your investment. In this respect, too large can cause problems just as too small can. A stove that's too small will not be able to heat the room adequately. However, if you buy a stove that's too big in relation to the room, you will be forever cutting the air supply to keep the room temperature down. As a result, combustion will be incomplete and soot will quickly build up on the window and in the chimney. Not only that, the quantity of soot particles you emit into the environment will be disproportionately high.

1410



Multifuel

Morsø 1410 radiant stove

1410

Rated output: 4.5 kW
 Log length: 28 cm
 Flue outlet, rear and top option,
 internal ø: 125 mm
 Weight: 70 kg
 Standard Leg length 100 mm
 Leg Options 150 mm/250 mm
 Efficiency net/gross: 76/69%

Approved to: EN 13240 class 1

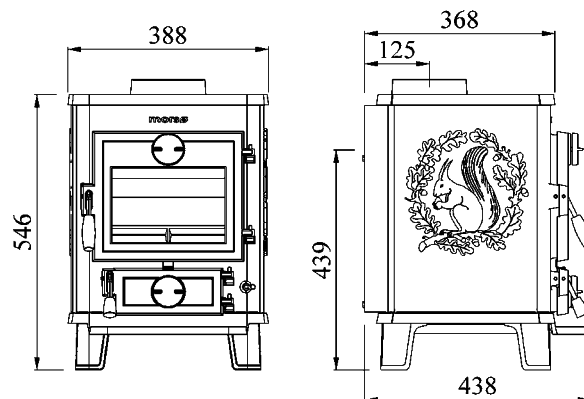
Clearances to Combustibles

Top: 500 mm
 Sides: 600 mm
 Rear: 300 mm
 Soft Furniture: 700 mm

Optional boiler for Morsø 1410 Squirrel: 8000 BTU

Tapping location:

Horizontal centreline: 230 mm
 From top to centreline: 74 mm
 Vertical centreline 228 mm
 Tapping diameter 1" BSP



Morsø 1430 Squirrel



Morsø 1400-series A steady beating heart. The Morsø 1400 is the quintessence of a charming stove. It represents what was the heart of many a home, what we know and remember from our childhood. The combustion technology of these classic stoves have since then been further developed and improved so that harmful particles and surplus gasses are burnt off. That's why, today, the stoves fulfil the strictest environmental requirements and also bear the Nordic Swan Eco-label. Despite all improvements in technology there are some details which remind timeless and a sign of quality, so Morsø's characteristic squirrel can still be found on the sides. It also available with contemporary ribbed sides.

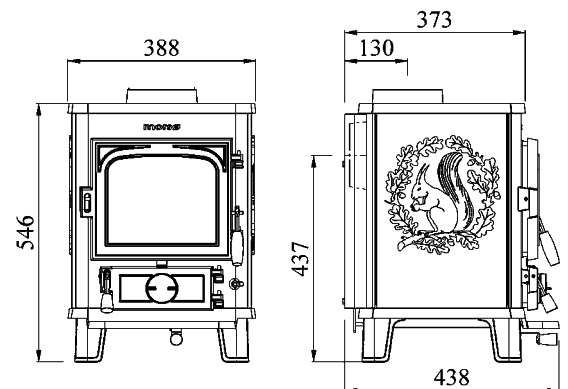
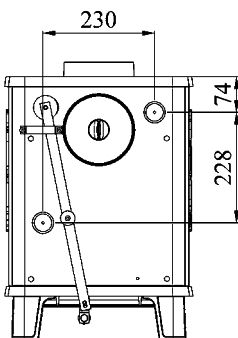
1430 / 1435

- Rated output: 4.6 kW
- Log length: 28 cm
- Flue outlet, rear and top option,
internal ø: 125 mm
- Weight: 75 kg
- Standard Leg length 100 mm
- Leg Options 150 mm/250 mm
- Approved to: EN 13240 class 1
- Efficiency net/gross: 71/64.6%

Clearance to Combustibles

- Top: 600 mm
- Sides: 600 mm
- Rear: 600 mm
- Soft Furniture: 650 mm

- Optional boiler for Morsø 1430 Squirrel: 8000 BTU
- Tapping location:
- Horizontal centreline: 230 mm
- From top to centreline: 74 mm
- Vertical centreline 228 mm
- Tapping diameter 1" BSP





Multifuel

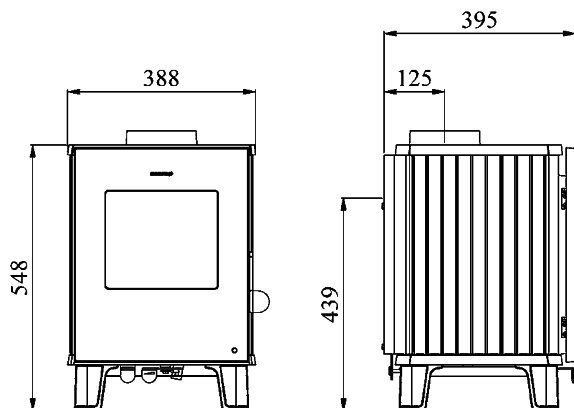
1416



- Rated output: 4 kW
- Log length: 28 cm
- Flue outlet, rear and top option,
internal ø: 125 mm
- Weight: 69 kg
- Efficiency net/gross: 78.4/71.3%
- Leg Options: 100 / 250 mm

- Approved to: EN 13240 class 1
- Clearances to Combustibles
- Top: 500 mm
- Sides: *390 mm
- Rear: *100 mm
- Soft Furniture: 700 mm

*Insulated flue



The Morsø 1400 is a new and modern edition of a classic. We were faced with an exciting challenge when we redesigned the stove, in that it was to preserve the best characteristics from the old model and also be updated with straight surfaces and tight lines, so that its design today now appears timeless and simple. The glass door on the 1448 model adds a further lightness to the stove's expression. The new version of the Morsø classic of course complies with the most stringent of environmental requirements regarding combustion.



Multifuel

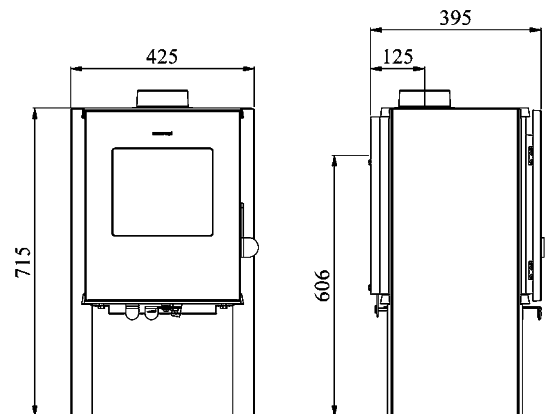
1446



Rated output: 4 kW
 Log length: 28 cm
 Flue outlet, rear and top option,
 internal Ø: 125 mm
 Weight: 90 kg
 Approved to: EN 13240 class 1
 Efficiency net/gross: 78.4/71.3%

Clearance to Combustibles

Top: 500 mm
 Sides: *240 mm
 Rear: *140 mm
 Soft Furniture: 700 mm
 *Insulated flue





Multifuel

1448



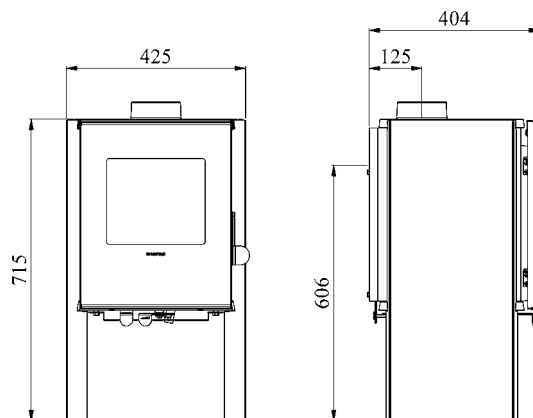
Rated output: 4 kW
 Log length: 28 cm
 Flue outlet, rear and top option,
 internal ø: 125 mm
 Weight: 94 kg
 Efficiency net/gross: 78.4/71.3%

Approved to: EN 13240 class 1

Clearances to Combustibles

Top: 500 mm
 Sides: *320 mm
 Rear: *190 mm
 Soft Furniture: 700 mm

*Insulated flue



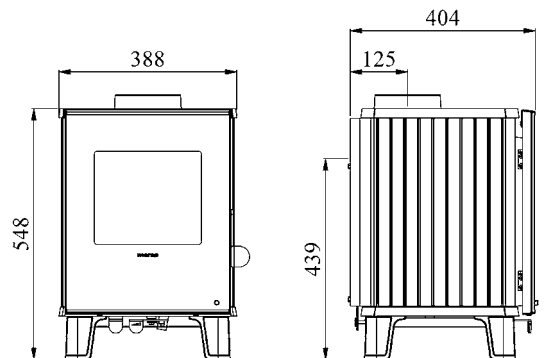


Multifuel

1418



- Rated output: 4 kW
- Log length: 28 cm
- Flue outlet, rear and top option,
internal ø: 125 mm
- Weight: 73 kg
- Approved to: EN 13240 class 1
- Efficiency net/gross: 78.4/71.3%
- Clearance to Combustibles
- Top: 500 mm
- Sides: *450 mm
- Rear: *150 mm
- Soft Furniture: 700 mm
- *Insulated flue





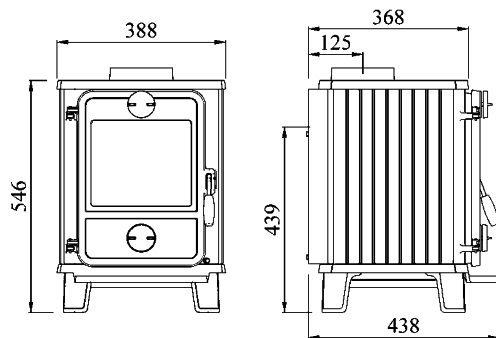
Multifuel

Morsø 1412 radiant stove

1412



- Rated output: 5 kW
- Log length: 28 cm
- Flue outlet, rear and top option,
internal ø: 125 mm
- Weight: 70 kg
- EN 13240 and Norwegian approved
- Efficiency net/gross: 74.6%/67.9%
- Clearance to Combustibles
- Top: 500 mm
- Sides: 600 mm
- Rear: 100 mm
- Soft Furniture: 700 mm



Morsø 1412-series The original 1400 family now comprises 3 additional stoves. The combustion technique in these classic stoves has been further developed and improved, so that even particles and excess gasses are burned. These stoves therefore meet even the most rigorous environmental standards and are approved to burn wood in smoke controlled areas.



Multifuel

The 1412-series comprises three options:
 The 1412 is a classic radiant stove decorated with the squirrel motif or ribbed sides.
 The 1442 is a convection stove with ribbed sides.

Morsø 1442 convector stove

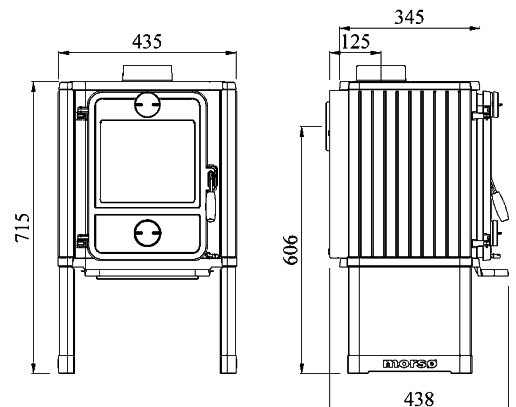
Morsø 1412
 Ribbed sides



1442



- Rated output: 5 kW
- Log length: 28 cm
- Flue outlet, rear and top option,
 internal ø: 125 mm
- Weight: 80 kg
- EN 13240 and Norwegian approved
- Efficiency net/gross: 74.6%/67.9%
- Clearance to Combustibles
- Top: 500 mm
- Sides: 300 mm
- Rear: 100 mm
- Soft Furniture: 700 mm





Multifuel

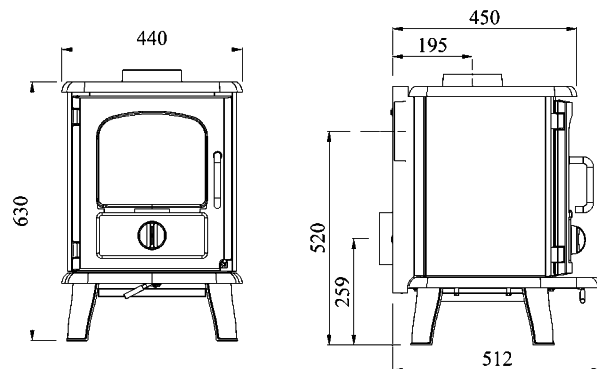
Morsø 3112 Badger radiant stove

3112



Rated output: 5 kW
 Log length: 32 cm
 Flue outlet, rear and top option, internal ø: 125 mm
 Weight: 95 kg
 Standard Leg length 150 mm
 Leg Options 210 mm
 Efficiency net/gross: 81/73,7%
 EN 13240 class 1 and Norwegian approved

Clearance to Combustibles:
 Top: 600 mm
 Sides: 600 mm
 Rear: 200 mm
 Soft Furniture: 800 mm
 Optional outside air kit





Multifuel

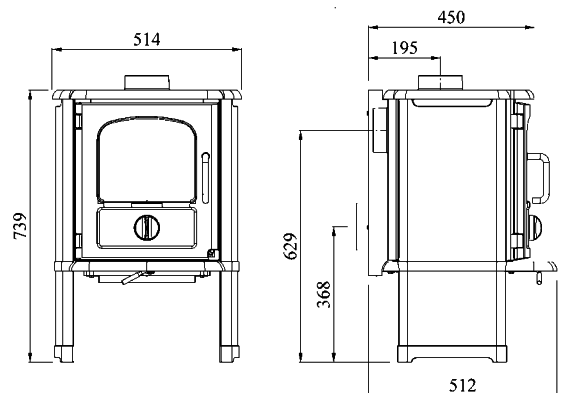
Morsø 3100-series Following a thorough, technical upgrade and a face lift, the stove stands out with a contemporary, elegant look and meets all the latest combustion principles. With the Morsø 3100 we are continuing all the best points from the classic Morsø stoves. The stoves are equipped with state-of-the-art tertiary combustion system and the large glass panel provides beautiful unobstructed viewing. The radiant model has fine ribbed sides and the convector model has plain sides. An optional outside air kit is also available for both models. Both models are approved by Defra to burn wood in smoke controlled areas.

3142



Rated output: 5 kW
 Log length: 30 cm
 Flue outlet, rear and top option, internal ø: 125 mm
 Weight: 120 kg
 Efficiency net/gross: 81/73,7%
 EN 13240 class 1 and Norwegian approved

Clearance to Combustibles:
 Top: 600 mm
 Sides: 400 mm
 Rear: 150 mm
 Soft Furniture: 800 mm
 Optional outside air kit



3400

Approved to burn wood in smoke controlled areas



Multifuel

Morsø 3410 Owl radiant stove.

3410 / 3420

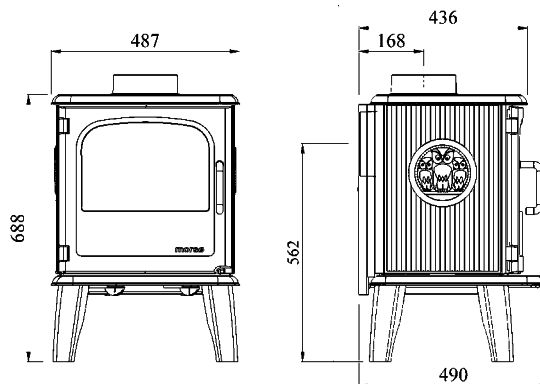


Rated output: 6.5 kW
 Log length: 36 cm
 Flue outlet, rear and top option, internal ø: 155 mm
 Weight: 100 kg
 Efficiency net/gross: 80,1/72,9%
 EN 13240 class 1 and Norwegian approved

Clearance to Combustibles:

Top: 600 mm
 Sides: 600 mm
 Rear: 200 mm
 Soft Furniture: 800 mm

Insulated Flue





Approved to burn wood in smoke controlled areas

Morsø 3440 We designed the stove together with the well-known, English design company, Queensbury Hunt Levien, retaining the classic Morsø lines and stylish look, while also integrating an advanced combustion system. The wide door with large stove glass provides a wonderful view of the flames, helping create both mood and heat in the home. The 3400-series comprises three stoves: A 3410 radiant with owl motif, a 3420 radiant with ribbed sides and the 3440 convector with plain sides.

All three stoves are approved by Defra to burn wood in smoke controlled areas.



Morsø 3440
Owl convector

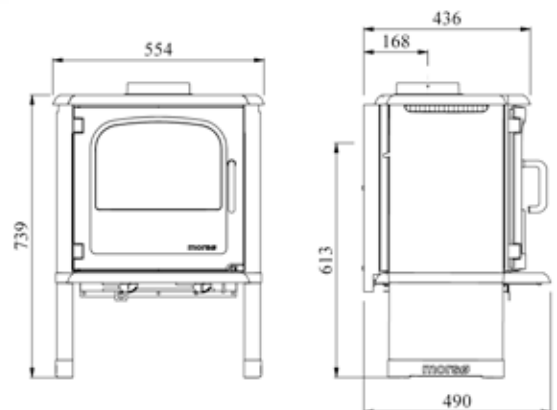
Multifuel

3440



Rated output: 6.5 kW
 Log length: 36 cm
 Flue outlet, rear and top option, internal ø: 155 mm
 Weight: 116 kg
 Efficiency net/gross: 80,1/72,9%
 EN 13240 class 1 and Norwegian approved

Clearance to Combustibles:
 Top: 600 mm
 Sides: 350 mm
 Rear: 200 mm
 Soft Furniture: 800 mm
Insulated Flue



2100



Multifuel

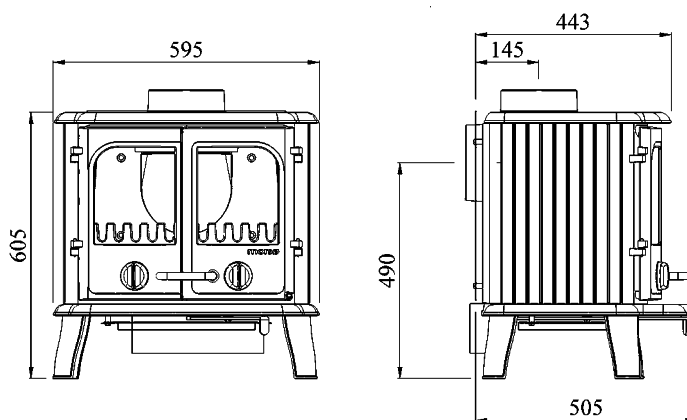
Morsø 2110 Panther Cleanheat radiant stove

2110

Rated output: 8 kW
 Log length: 40 cm
 Flue outlet, rear and top option, internal ø: 155 mm
 Weight: 125 kg
 Standard Leg length 150 mm
 Leg Options 250 mm
 Efficiency net/gross: 72/65,5%
 EN 13240 class 1 approved

Clearance to Combustibles:

Top: 500 mm
 Sides: 200 mm
 Rear: 200 mm
 Soft Furniture: 800 mm



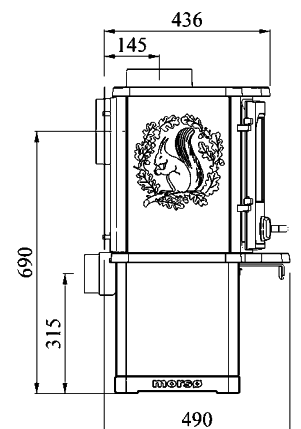
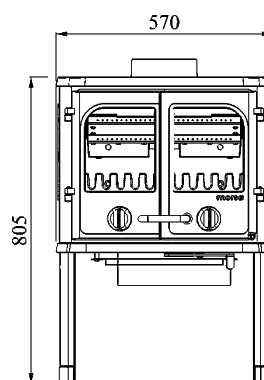


Morsø 2100-series Nostalgic look, glowing with English charm. The cast-iron stove, which is very spacious and effective, was the creation of the English designers, Queensbury Hunt. Together with the English designers, we have created a powerful stove, which is a true representative of the proud Morsø tradition. The Morsø 2100-series has an extra wide combustion chamber, allowing the use of large-sized fuel. At the same time, the width of the doors facilitate large glass windows, allowing you to gaze at the slow crackling fire.

2140

Rated output: 5.6 kW
 Log length: 36 cm
 Flue outlet, rear and top option, internal ø: 155 mm
 Weight: 120 kg
 Efficiency net/gross: 76/69,2%
 EN 13240 class 1 approved

Clearance to Combustibles:
 Top: 500 mm
 Sides: 400 mm
 Rear: 150 mm
 Soft Furniture: 800 mm





Multifuel

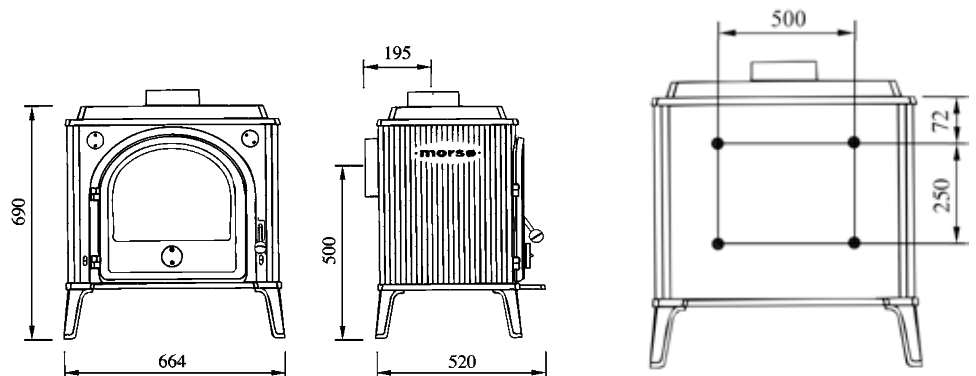
Morsø 1630 The Dove has a completely traditional stove style, with its fine large door with curved glass, helping to emphasise the cosiness and create a romantic look. The stove was designed at Morsø in 1985 and has always been one of the more popular styles. The 1630 has a nostalgic look with added charm, making it ideal for older homes or country homes. Two models are available: one dry and one drilled to take on optional 34.000 BTU boiler.

1630

Rated output: 10.5 kW
 Log length: 40 cm
 Flue outlet, rear and top option, internal ø: 155 mm
 Weight: 122 kg
 Standard Log length 150 mm
 Leg Options 100/250 mm
 Efficiency net/gross: 74/67.3%
 EN 13240 class 1 approved

Optional boiler for Morsø 1630 Dove: 34000 BTU
 Tappings locations:
 Horizontal centreline: 500 mm
 From top to centreline: 72 mm
 Vertical centreline: 250 mm

Clearances to Combustibles:
 Top 600 mm
 Sides 550 mm
 Rear 800 mm



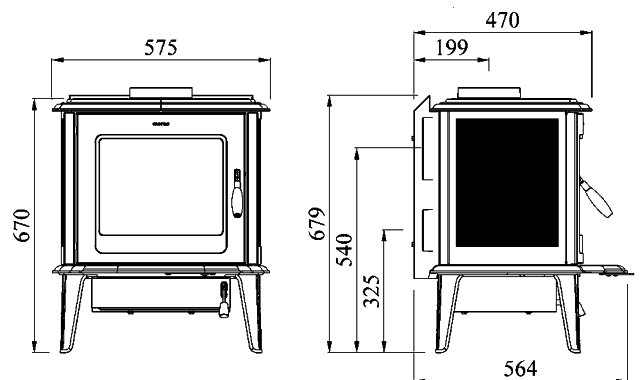


Morsø 7110 Simple and aesthetic design. The family relationship to Morsø's world-famous stove is clear to see in this stove, designed by Morsø's designer, Karsten Aagaard. The stove was designed with one door to allow the easy insertion of fuel, and also has a separate door for ash pan removal. It radiates unbelievable beauty with its fluted sides, giving it a completely unique and beautiful look. The stylish glass door without distracting bars gives a fantastic view of the dancing flames. An optional outside air kit is available for this model.

7110

Rated output: 5.4 kW
 Log length: 40 cm
 Flue outlet, rear and top option, internal ø: 155 mm
 Weight: 140 kg
 Efficiency net/gross: 75,5/68,7%
 EN 13240 class 1 approved

Clearance to Combustibles:
 Top: 500 mm
 Sides: 500 mm
 Rear: 150 mm
 Soft Furniture: 1000 mm
 Optional outside air kit





Wood Burning

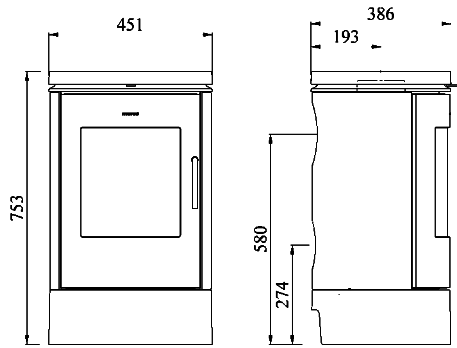
Morsø 6140 convector stove

6140



Rated output: 5.5 kW
 Log length: 30 cm
 Flue outlet, rear and top option, internal ø: 125 mm
 Weight: 110 kg
 Efficiency net/gross: 80.1%/72.9%
 EN 13240 and Norwegian approved

Clearance to Combustibles:
 Top: 600 mm
 Sides: 400 mm
 Rear: 150 mm
 Soft Furniture: 900 mm
 Optional outside air kit available base or rear



The **Morsø 6100-series** fans the flames. The stove's unique combustion system helps ensure a higher temperature in the combustion chamber, which means it burns off the flue gases. This provides you with a cleaner and more environmentally-friendly combustion and a higher level of efficiency, guaranteeing you good fuel economy. Furthermore, the elegantly designed glass door and hidden mountings provide a good view of the fire and flames. The 6100-series are 80.1% net efficient with almost no smoke emissions. Optional outside air kits are available for both models. Both models are approved by Defra to burn wood in smoke controlled areas.



6100

Approved to burn wood in smoke controlled areas



Wood Burning

Morsø 6148 convector stove

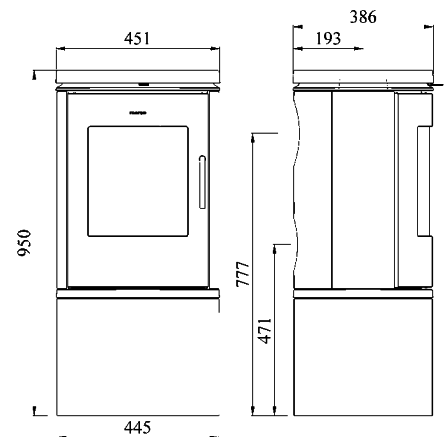
6148



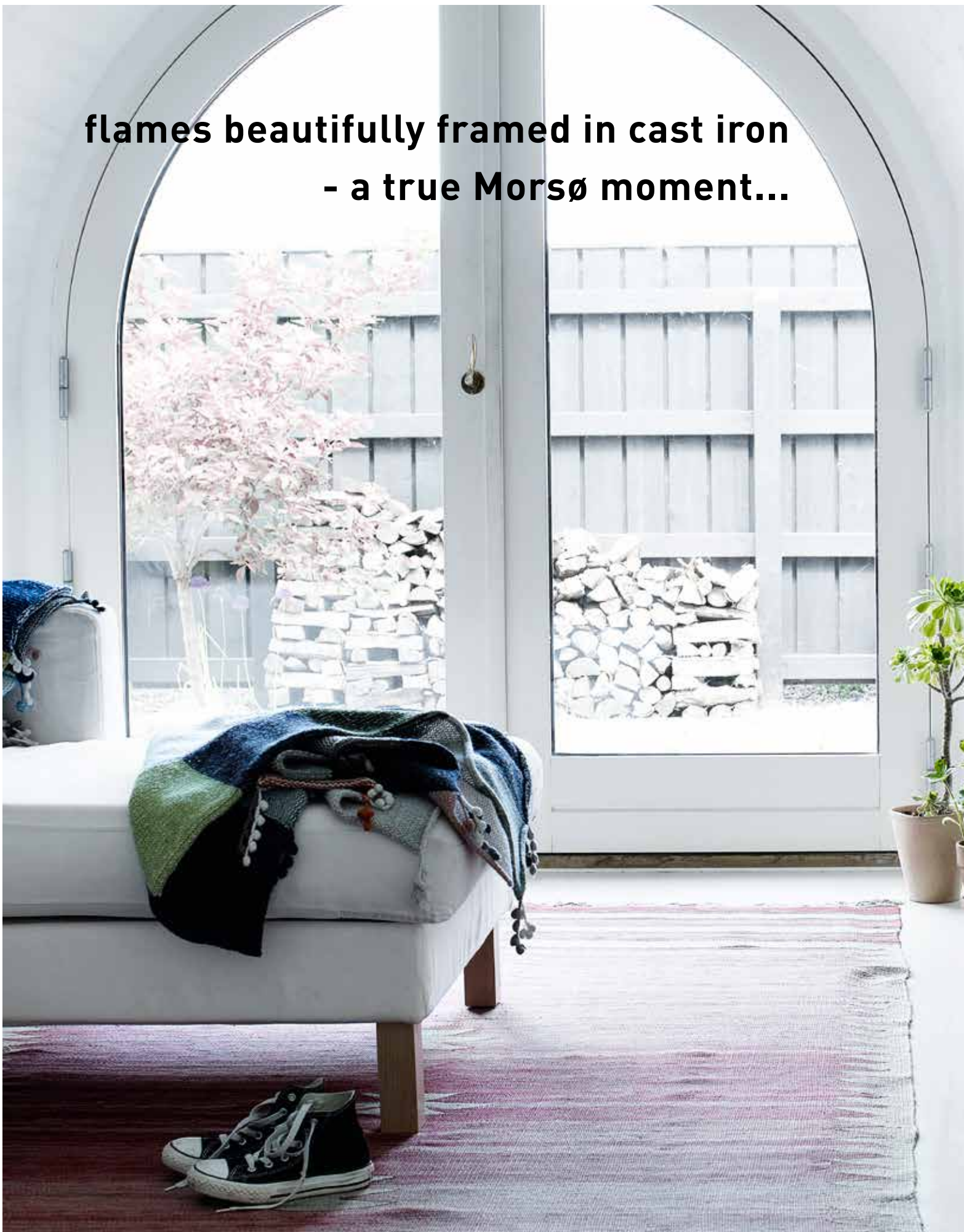
Rated output: 5.5 kW
 Log length: 30 cm
 Flue outlet, rear and top option, internal ø: 125 mm
 Weight: 111 kg
 Efficiency net/gross: 80.1%/72.9%
 EN 13240 and Norwegian approved

Clearance to Combustibles:

Top: 600 mm
 Sides: 400 mm
 Rear: 150 mm
 Soft Furniture: 900 mm
 Optional outside air kit available base or rear



**flames beautifully framed in cast iron
- a true Morsø moment...**



AVAILABLE SEPTEMBER 2013



7400 series

Available September 2013

Approved to burn wood in smoke controlled areas



Wood Burning

Morsø 7400-series takes the best qualities of modern wood burning stoves and uses them to give the consumer a modern take on a classic design. At the same time the series celebrates Morsø's 160th anniversary and, for the first time presents the newly redesigned "Squirrel" motif. This motif decorates the matt black side of the stove and emphasizes the quality finish whilst celebrating our 160 year history as the leading manufacturer of high quality wood burning stoves.

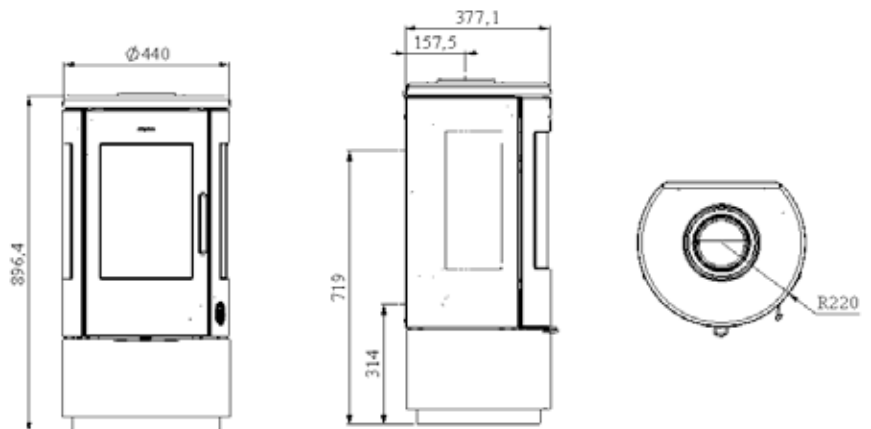
7440



Rated output: 5.7 kW
 Log length: max. 33 cm - recommended 23 cm
 Flue outlet, rear and top option, internal ø: . . 120-150 mm
 Weight: 105 kg
 Efficiency net/gross: 78.4/71.3%
 EN 13240 and Norwegian approved

Clearance to Combustibles:

Top: 500 mm
 Sides: 450 mm
 Rear: 200 mm
 Soft Furniture: 850 mm
 Optional outside air kit available



Approved to burn wood in smoke controlled areas



7400 series
Available September 2013



Wood Burning

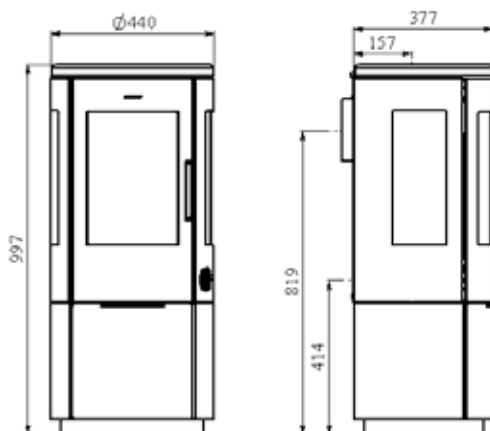
Wood Burning

7442



Rated output: 5.7 kW
Log length: max. 33 cm - recommended 23 cm
Flue outlet, rear and top option, internal ø: . . 120-150 mm
Weight: 116 kg
Efficiency net/gross: 78.4/71.3%
EN 13240 and Norwegian approved

Clearance to Combustibles:
Top: 500 mm
Sides: 450 mm
Rear: 200 mm
Soft Furniture: 850 mm
Optional outside air kit available

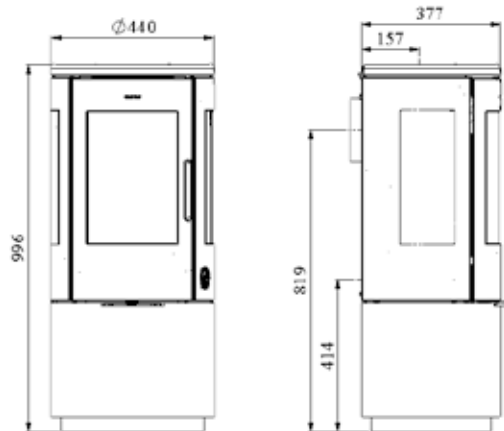


7443 / open base



Rated output: 5.7 kW
Log length: max. 33 cm - recommended 23 cm
Flue outlet, rear and top option, internal ø: . . 120-150 mm
Weight: 109 kg
Efficiency net/gross: 78.4/71.3%
EN 13240 and Norwegian approved

Clearance to Combustibles:
Top: 500 mm
Sides: 450 mm
Rear: 200 mm
Soft Furniture: 850 mm
Optional outside air kit available



7400 series

Available September 2013

Approved to burn wood in smoke controlled areas



Wood Burning

Morsø 7400-series has been designed by World famous Danish designer Monica Ritterband. This new series is a follow up to the 7900 series which she also designed. In fact the 7400 series can be regarded as the "little sister" of the 7900 series as it encompasses the same large flame viewing area and design but with smaller overall dimensions. Thanks to its nifty size the stove is also suitable for smaller rooms where it will fit perfectly as an elegant, functional, cosy piece of furniture.

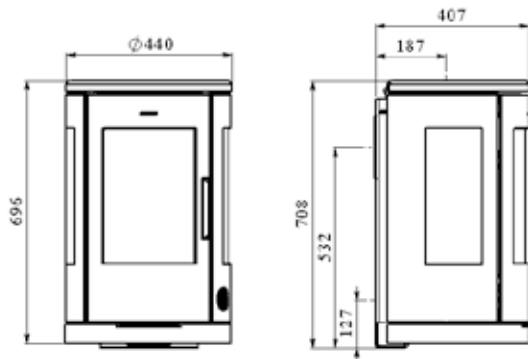
7470



Rated output: 5.7 kW
 Log length: max. 33 cm - recommended 23 cm
 Flue outlet, rear and top option, internal ø: . 120-150 mm
 Weight: 108 kg
 Efficiency net/gross: 78.4/71.3%
 EN 13240 and Norwegian approved

Clearance to Combustibles:

Top: 500 mm
 Sides: 450 mm
 Rear: 200 mm
 Soft Furniture: 850 mm
 Optional outside air kit available



Approved to burn wood in smoke controlled areas



7400 series
Available September 2013



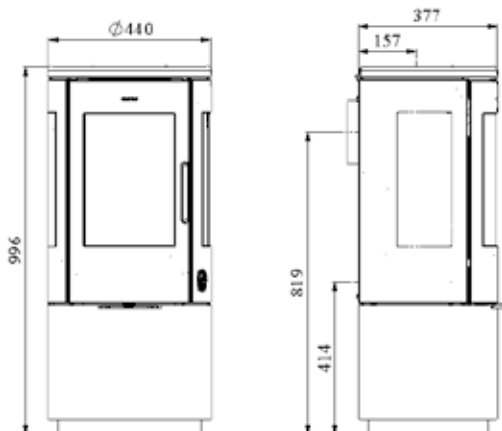
Wood Burning

7443 / plain base



Rated output: 5.7 kW
Log length: max. 33 cm - recommended 23 cm
Flue outlet, rear and top option, internal ø: . . 120-150 mm
Weight: 108 kg
Efficiency net/gross: 78.4/71.3%
EN 13240 and Norwegian approved

Clearance to Combustibles:
Top: 500 mm
Sides: 450 mm
Rear: 200 mm
Soft Furniture: 850 mm
Optional outside air kit available



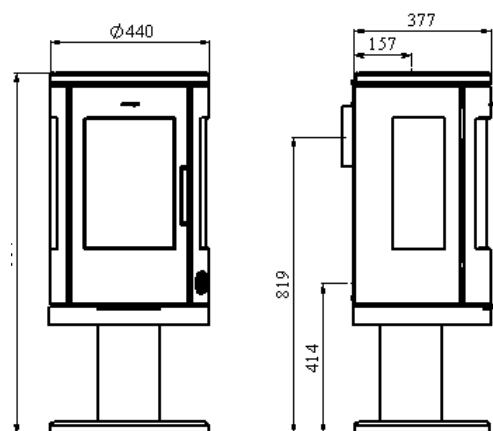
Wood Burning

7448



Rated output: 5.7 kW
Log length: max. 33 cm - recommended 23 cm
Flue outlet, rear and top option, internal ø: . . 120-150 mm
Weight: 110 kg
Efficiency net/gross: 78.4/71.3%
EN 13240 and Norwegian approved

Clearance to Combustibles:
Top: 500 mm
Sides: 450 mm
Rear: 200 mm
Soft Furniture: 850 mm
Optional outside air kit available



7600 series



Approved to burn wood in smoke controlled areas



Morsø 7642 convector stove



Wood Burning

Morsø 7600-series was designed by Monica Ritterband, currently one of Denmark's most sought-after designers. Monica Ritterband is known for her pioneering designs, which all take their starting point in her unique universes and totally special, organic language of form and lines. Thus, the Morsø 7600 was also created in this way – it is completely unique with its circular form, round feminine transitions and its huge glass window, the biggest in Morsø's history of stoves.

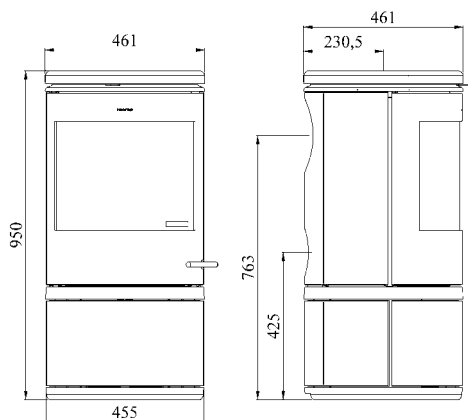
7642



Rated output: 6.2 kW
 Log length: 30 cm
 Flue outlet, rear and top option, internal ø: 150 mm
 Weight 7642: 156 kg
 Weight 7644: 156 kg
 Efficiency net/gross: 75.9./69.1%
 EN 13240 and Norwegian approved

Clearance to Combustibles:

Top: 600 mm
 Sides: 500 mm
 Rear: 150 mm
 Soft Furniture: 1200 mm
 Optional outside air kit available





Approved to burn wood in smoke controlled areas

7600 series



Wood Burning



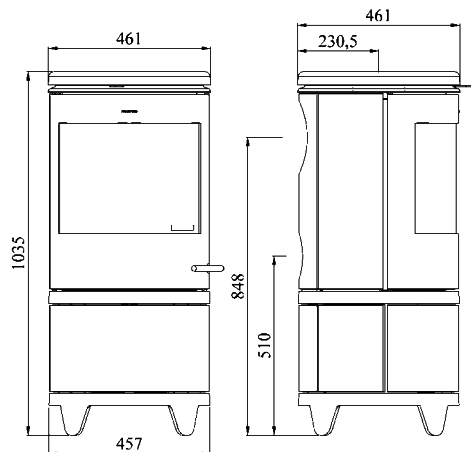
Wood Burning

7644



Rated output: 6.2 kW
 Log length: 30 cm
 Flue outlet, rear and top option, internal ø: 150 mm
 Weight 7642: 156 kg
 Weight 7644: 156 kg
 Efficiency net/gross: 75.9/69.1%
 EN 13240 and Norwegian approved

Clearance to Combustibles:
 Top: 600 mm
 Sides: 500 mm
 Rear: 150 mm
 Soft Furniture: 1200 mm
 Optional outside air kit available

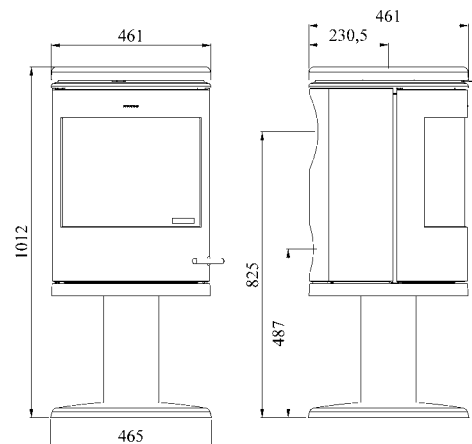


7648 on pedestal



Rated output: 6.2 kW
 Log length: 30 cm
 Flue outlet, rear and top option, internal ø: 150 mm
 Weight: 136 kg
 Efficiency net/gross: 75.9/69.1%
 EN 13240 and Norwegian approved

Clearance to Combustibles:
 Top: 600 mm
 Sides: 500 mm
 Rear: 150 mm
 Soft Furniture: 1200 mm
 Optional outside air kit available



Stylish and harmoniously - a choice for life





7900 series



Approved to burn wood in smoke controlled areas



Wood Burning

With the 7900 series, Morsø has worked with the designer Monica Ritterband to develop and create a new series of cast iron wood-burners, whose functionality and design suit any home - and of course with quality as the key. The 7900 series is an innovative design based on a modular system, that makes it possible to customise each wood-burning stove to suit individual needs, both in terms of design and functionality.

7940

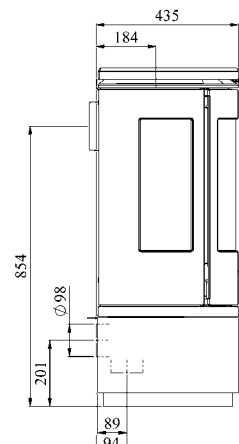
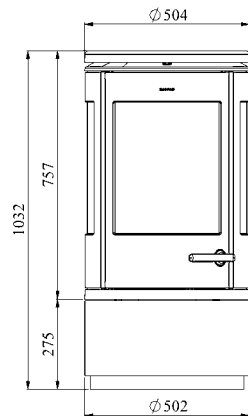


Rated output: 7.3 kW
 Log length: 33 cm
 Flue outlet, rear and top option, internal ø: . . . 150 mm
 Weight: 152 kg
 Efficiency net/gross: 79/71.9%
 EN 13240 and Norwegian approved

Clearance to Combustibles:

Top: 500 mm
 Sides: 700 mm
 Rear: 125 mm
 Soft Furniture: 900 mm

Prepared for outside air kit from the rear. With plain base outside airkit is possible to the base of the stove as well. Airtight box can be bought separately.



Morsø has yet again gone the extra mile in their uncompromising efforts to make fire a natural, decorative and aesthetically integrated part of the comfort and warmth of our homes. Morsø has created a stove which in the smallest detail shows that it has been well thought out.

The first impression is of its large viewing glazed area. The very large panes in the front and sides of the stove quite naturally bring the play and life of the flames into the surrounding environment, because the fire is equally visible from all parts of the room, even the sides.

Approved to burn wood in smoke controlled areas



7900 series



Wood Burning



Wood Burning

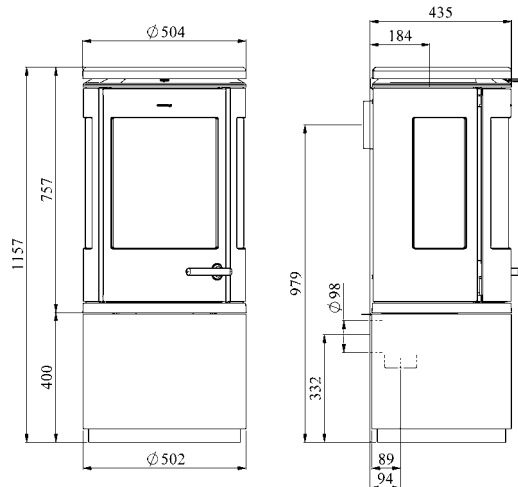
7943 with / without drawer



Rated output: 7.3 kW
 Log length: 33 cm
 Flue outlet, rear and top option, internal ø: 150 mm
 Weight 7943: 162-174 kg
 Efficiency net/gross: 79/71.9%
 EN 13240 and Norwegian approved

Clearance to Combustibles:
 Top: 500 mm
 Sides: 700 mm
 Rear: 125 mm
 Soft Furniture: 900 mm

Prepared for outside air kit from the rear. With plain base outside airtight is possible to the base of the stove as well. Airtight box can be bought separately.



7900 series

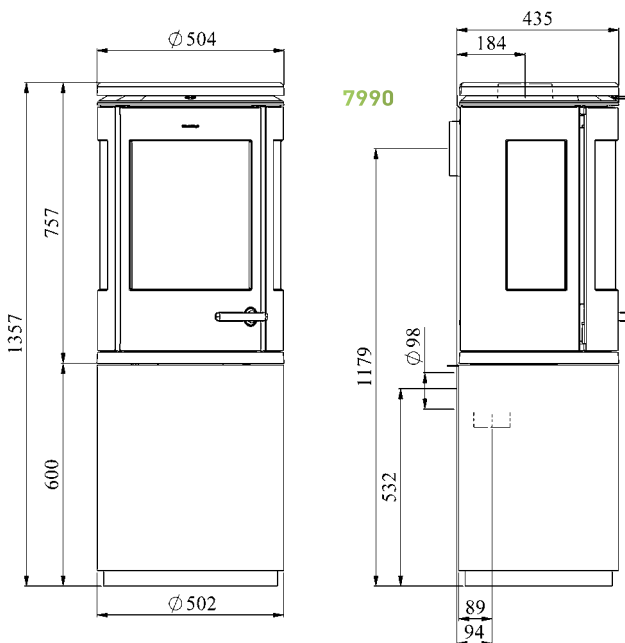


Approved to burn wood in smoke controlled areas



Wood Burning

Morsø 7900-serien series is light and elegant whatever combination of stove modules is chosen. This not least because the designer, Monica Ritterband, has used the small recessed plinth to visually raise the stove, so that the pure and solid cast iron is experienced as light and almost hovering.



Morsø 7900 - Air intake. Specially designed and moulded in stainless steel.



Morsø 7900 - Drawer. Elegant and discreet storage solution



Approved to burn wood in smoke controlled areas

7900 series



Wood Burning

Morsø 7948 lightly and elegantly raises the firebox, enclosed by the spectacular side and front panels. Alone in the 7900 series, the Morsø 7948 is available in both black and brown versions. Morsø has used the warm brown colour to give the cast iron a soft and living shade, which beautifully sets off the golden glow of the flames.

7990 / 7948

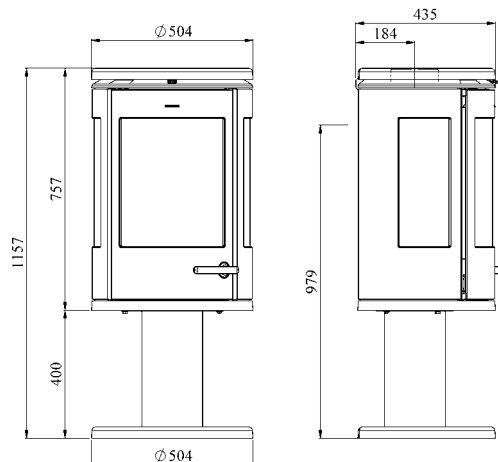


Rated output: 7.3 kW
 Log length: 33 cm
 Flue outlet, rear and top option, internal ø: 150 mm
 Weight 7990 / 7948: 189 / 156 kg
 Efficiency net/gross: 79/71.9%
 EN 13240 and Norwegian approved

Clearance to Combustibles:

Top: 500 mm
 Sides: 700 mm
 Rear: 125 mm
 Soft Furniture: 900 mm

7990 is prepared for outside air kit from the rear. With plain base outside airkit is possible to the base of the stove as well. Airtight box can be bought separately.
 7948 is not prepared for outside air kit.



8100 series

Morsø 8142 convector stove



Wood Burning

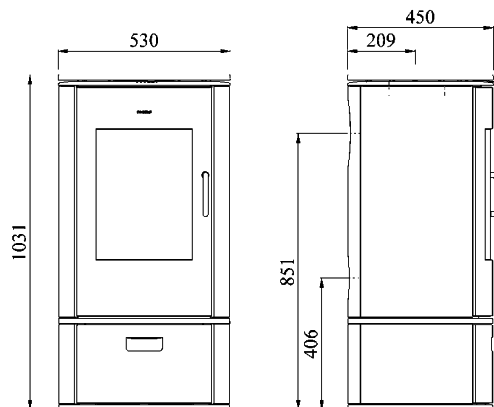
8142 with log drawer



Rated output: 6,4 kW
 Log length: 30 cm
 Flue outlet, rear and top option,
 internal ø: 155 mm
 Weight: 152 kg
 Efficiency net/gross: 80,5/73,3%
 EN 13240 class 1 and Norwegian approved

Clearance to Combustibles:

Top: 600 mm
 Sides: 500 mm
 Rear: 150 mm
 Soft Furniture: 1100 mm
 Optional outside air kit



The **Morsø 8100-series** comprises 3 cast-iron stoves, which set new standards in stove design both in terms of functionality and aesthetics. The stove has a clean and simple design, where the combination of soft, rounded contours and simple details give the stove a light and timeless look. This guarantees you a classically beautiful stove that will last for decades, while the cast iron's raw and living structure will provide both a rustic and exclusive tone. The flexibility of working with cast iron has enabled us to design a number of details for the stove, which will warm your spirit not just your home. The Morsø 8100 is also available on a pedestal (8147), giving the stove an airy and elegant appearance. The stove's large glass area provides a feeling of watching an open fire. An optional outside air kit is available for all three models.



Wood Burning



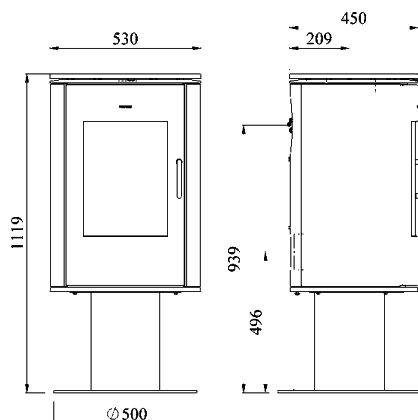
Wood Burning

8148



Rated output: 6,4 kW
 Log length: 30 cm
 Flue outlet, rear and top option,
 internal ø: 155 mm
 Weight 8148: 184 kg
 Efficiency net/gross: 80,5/73,3%
 EN 13240 class 1 and Norwegian approved

Clearance to Combustibles:
 Top: 600 mm
 Sides: 500 mm
 Rear: 150 mm
 Soft Furniture: 1100 mm
 Optional outside air kit

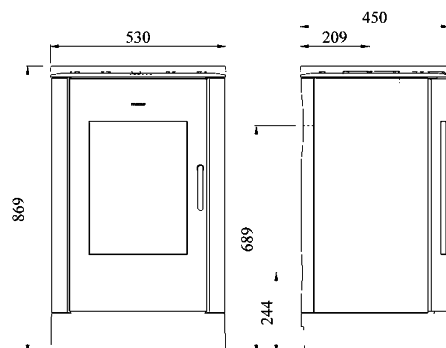


8140



Rated output: 6,4 kW
 Log length: 30 cm
 Flue outlet, rear and top option,
 internal ø: 155 mm
 Weight 8140: 152 kg
 Efficiency net/gross: 80,5/73,3%
 EN 13240 class 1 and Norwegian approved

Clearance to Combustibles:
 Top: 600 mm
 Sides: 500 mm
 Rear: 150 mm
 Soft Furniture: 1100 mm
 Optional outside air kit



5660



Wood Burning

The **Morsø 5660** is an advanced fireplace insert, which fully lives up to our craftsmanship traditions. The design is strict, modern and stylish, while the cast iron's raw and living structure gives the insert a rustic tone. Our innovative insert has an advanced combustion system supplied with tertiary air, enabling the stove to comply with the strictest, modern requirements for environmentally-conscious heating. The fireplace has an extra large combustion chamber which can accommodate logs of up to 50 cm – for those cold winter evenings. An optional outside air kit is available for this stove.

Morsø 5660 insert cleanheat convector



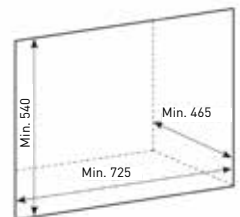
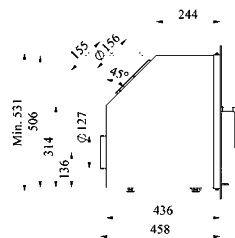
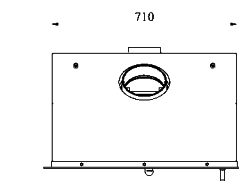
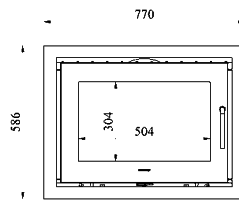
5660



Rated output: 6.6 kW
 Log length: 50 cm
 Flue outlet: 155 mm
 Weight: 125 kg
 Efficiency net/gross: 75/68,3%
 EN 13240 class 1 and Norwegian approved

Clearance to Combustibles:

Top: 600 mm
 Sides: 500 mm
 Rear: 150 mm
 Soft Furniture: 1300 mm
 Uninsulated
 Optional outside air kit available





Wood Burning

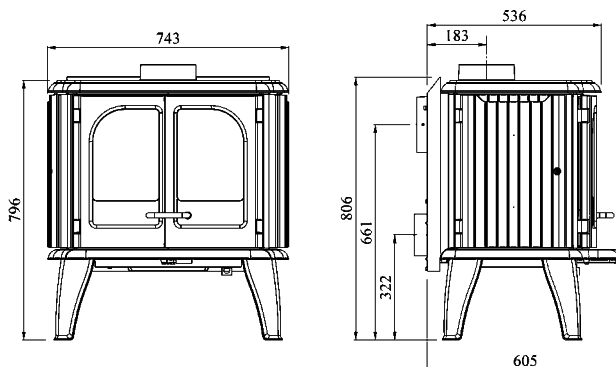
The **Morsø 3600 radiant stove** is a large, well designed heat source perfect when you need to heat a large area. This cast iron stove was designed by the well known english design company Studio Levien. The stove is not only an optimal design, but will take an extra large log up to 55 cm. The stove has an additional side door for convenient loading. A classic Morsø design this cast iron beast will watch over your home like a tame dragon. An optional outside air kit is available for this model.

3610

Rated output: 9.8 kW
 Log length: 55 cm
 Flue outlet, rear and top option, internal ø: . . . 155 mm
 Weight: 220 kg
 Efficiency net/gross: 74/67,3%
 EN 13240 class 1 approved

Clearance to Combustibles:

Top: 600 mm
 Sides: 400 mm
 Rear: 200 mm
 Soft Furniture: 1000 mm
 Optional outside air kit



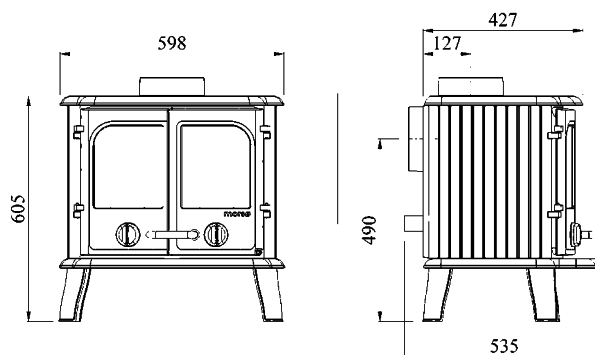
2100 Panther Gas



The **Morsø 2100 Panther Gas** has a typical Morsø design with classic elegant lines and delicately ribbed side plates that makes this stove aesthetically-suited for both traditional and contemporary designed homes. With its reversible flue collar, the Morsø 2100 Panther Gas stove can be installed either freestanding or into a fireplace. With its 4.9 kW output, the sleek black Morsø 2100 Panther Gas is the natural choice for any medium sized room, and like every Morsø 2100 Panther, it is extremely quiet. LPG conversion kit available.

2100 Panther Gas

Max/min. input, Natural gas	6.8/3.1 kWh
Max/min input, LPG	6.8/3.0 kWh
Max/min output, Natural gas	4.9/2.2 kWh
Max/min output, LPG	4.9/2.1 kWh
Efficiency	72%
Flue outlet, rear and top option,	
internal Ø	155 mm
Standard Leg Length	150 mm
Optional Leg Length	250 mm
Weight	90 kg



It's not just our stoves which are environmentally friendly

In full keeping with the spirit of the times, the environment plays an important role at Morsø Jernstøberi. And it has done, long before it became fashionable to think along such green lines.

What we should be saying is, what is it that can help make your Morsø stove even more the right environmental choice?





Recycled iron

99 percent of the cast iron in a Morsø stove comes from scrap which has been re-smelted. This is particularly good for the environment. It's quite fascinating to think that your new stove might have once been a bicycle.

Or a lamp post. Or a ...

Sustainable energy

It's no secret that too much energy is used in manufacturing. Far too much, even. We therefore make sure that at least 80 percent of our energy consumption comes from sustainable energy sources, mainly wind energy. You won't find such a high percentage in many other companies (May 2009).

Recycled packaging

When you receive your Morsø stove from the dealer, it will be packed in recycled paper. We also use minimum print colours in the packaging – and the small amount we do use is solely water-based.

Waste sorting

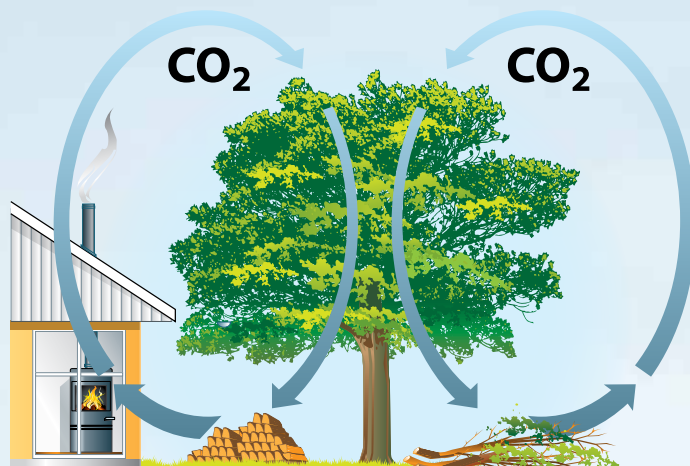
There's nothing that's so useless it can't be used for something. We take this quite literally at Morsø Jernstøberi, where the vast majority of our waste is sorted and reused for the benefit of the environment. This applies, in particular, to surplus or scrapped stoves or cast iron plates, which are sent off for re-smelting. You can see that we take this seriously by, the fact that our sorting centre is certified to the international standard for environmental management, ISO 14001.

Morsø gives you local warming. Not global warming.

Wood has quite a special property when talking about CO₂. As the tree grows, it absorbs and locks in enormous amounts of carbon dioxide as part of the photosynthesis process. Precisely the same amount of CO₂ is released into the atmosphere, when the tree is felled and burnt. If burning-off takes place efficiently, the count adjusts downwardly, so we can say that wood is CO₂-neutral and therefore a green energy source.

Not only that, wood – unlike e.g. oil, coal or gas - can be reproduced by planting new trees to replace those cut down. The neutral CO₂-cycle can therefore be maintained. Generation after generation.

To bring the CO₂ count completely down to zero, the wood, as mentioned above, must be burnt off as efficiently as possible. And this is where Morsø's stoves score their first important points. Our many years of experience and constant development mean that, today, each and every one of our stoves are among the most efficient combustion systems in the world.



Did you see smoke?

On the one side, there's talk about CO₂ and global warming. On the other, there's the recurring debate about soot, which, along with harmless water vapour, is contained in the smoke emitted from a stove. Are soot particles harmful to health? Under what conditions? If so, at what quantity does it become a problem? Whatever the case, we should use our stoves so that no smoke comes out the chimney. Even if the smoke isn't harmful, it can smell and be unnecessarily unpleasant for our neighbours.

There is still uncertainty surrounding the answers. So, it is precisely for this reason that we have decided to put every effort into the development of our stoves. If there's one thing we won't under any circumstances take any chances with it's our customers' health. The demonstrable result is that the emission of particles from a modern Morsø stove has been reduced to an absolute minimum through refined combustion technology and advanced purification systems.


The fact that the quantity of particles emitted depends very much on how you use your stove is a completely different matter. We'll come to that in the next few pages.

Safety is standard

Morsø's wood-burning stoves meet some of the strictest environmental standards in the world. This mainly applies to Norwegian Standard NS 3058/3059, which sets out stringent requirements on minimising particle emissions. To highlight our environmental focus, the majority of Morsø's stoves are, today, also certified to the Nordic Swan Eco-label. This not only focuses on minimising the stove's impact on the environment when in operation, it also focuses on the impact on the environment caused by the actual production and choice of packaging etc. A range of our stoves are approved in the UK by Defra to burn wood in smoke controlled areas.

All our stoves comply with European Standard EN 13 240, which, in other words, means that the stoves are CE-marked.





Familiarising yourself with the ins and outs (and your fuel economy)

Even the best stove needs your input, if you want to heat your home efficiently and, at the same time, protect the environment from harmful particles. Ultimately, it is a matter of how you use the stove – and of course, what you fuel it with. You can do both yourself and the environment a big favour by following these seven recommendations:

You can do both yourself and the environment a big favour by following these recommendations:

1. Choose a stove which complies with the strictest requirements on particle emissions.
2. Make sure your chimney is the correct size in relation to the stove. A good draw is essential for optimum combustion.
3. Never burn waste, cardboard packaging, printed matter or wood that has been painted or in some other way treated.
4. Make sure the wood is clean and dry. Dampness of max 16-20% gives the best and cleanest combustion (and also less soot on the glass).
5. Never overfill the stove and avoid using oversized pieces of fuel.
6. Air is important for good combustion and good economy. Before the wood carbonises, enough air needs to be added so that flames are produced (always read the manual – it's important).
7. Don't leave the stove burning overnight. Leaving your stove burning overnight is bad for your wallet and the environment.

Learn to light a fire correctly:



As shown in the picture to the left you need the following:
2 fire lighters (or 5-10 crumpled-up sheets of newspaper)
1 kg of dry kindling
Approx. 1-1.5 kg of chopped firewood



Open the air supply up fully.



1" of ash is a suitable base for the wood.
Start by placing a couple of logs, approximately ½ kilogram, in the bottom of the burn chamber.



Place approximately 1 kilogram of dry kindling wood on top of the logs. Place a couple of kindling bags just below the top layer of kindling wood.



Light the kindling bags



The flames work their way slowly downwards from the top. After approximately 45-60 minutes, the last flames go out, and a good layer of embers has been formed. More wood should be added while there are still embers. Use a poker or ash scraper to spread the embers, but ensure that most of them are at the front of the stove.



Place three pieces of wood of approx. 0.5 kg each and approx. 9,8" long over the embers in a single layer, with a distance of approx. 1 cm between each piece. When the air controls are opened fully, and the door is closed, the wood will ignite within 2-3 minutes.



Finally, adjust the air supply control to the required position to give optimal combustion. Maintaining a good fire box temperature will ensure secondary combustion of the smoke and gases giving a clean and efficient burn. The stove should be refuelled before only glowing embers remain.



Wood Burning

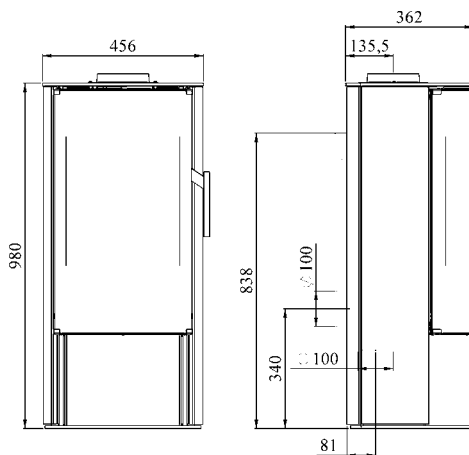
S10-40



Rated output: 5 kW
 Log length: 33 cm
 Flue outlet, rear and top option, internal ø: 150 mm
 Weight: 98 kg
 Efficiency net/gross: 81.3%/74%
 EN 13240 and Norwegian approved

Clearance to Combustibles:
 Top: 600 mm
 Sides: 400 mm
 Rear: 200 mm
 Soft Furniture: 700 mm

The stove can be fitted with a direct outside air supply kit connecting to either to the rear or base of the stove.

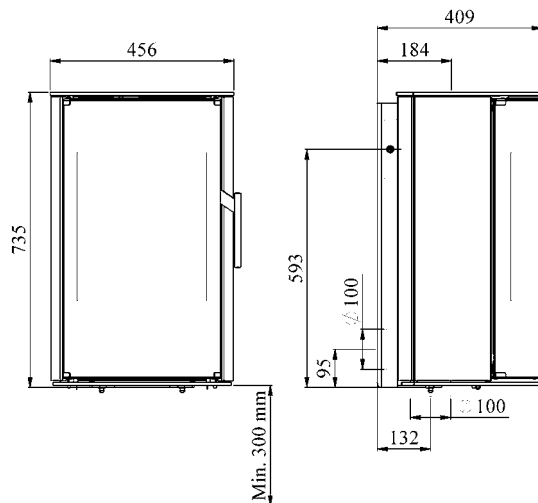


A new original

At Morsø, our philosophy is to create the optimum combination of design, quality and materials. The new Morsø S range is a convincing example of this. We have developed a range of quality, steel wood-burning stoves with a focus on design. The style is light, elegant and very Scandinavian in expression. And to preserve a touch of our "roots", the new stoves also contain an element of cast iron. All Morsø S variants are sold with a 5-year guarantee, please see Morsø's warranty terms.



Wood Burning



S10-70



Rated output: 5 kW
 Log length: 33 cm
 Flue outlet, rear and top option, internal ø: . . 150 mm
 Weight: 102 kg
 Efficiency net/gross: 81.3%/74%
 EN 13240 and Norwegian approved

Clearance to Combustibles:
 Top: 600 mm
 Sides: 400 mm
 Rear: 200 mm
 Soft Furniture: 700 mm
 From the floor 150 mm

The stove can be fitted with a direct outside air supply kit connecting to either to the rear or base of the stove.

S50-40



S50-40

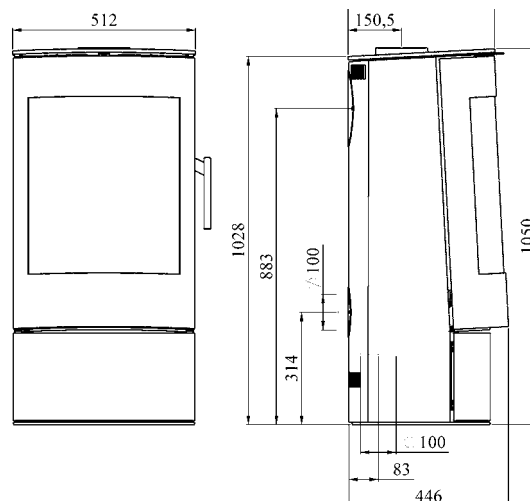


Rated output: 8 kW
 Log length: 35 cm
 Flue outlet, rear and top option, internal ø: . . 150 mm
 Weight: 120 kg
 Efficiency net/gross: 78.4%/71.3%
 EN 13240 and Norwegian approved

Clearance to Combustibles:

Top: 600 mm
 Sides: 500 mm
 Rear: 300 mm
 Soft Furniture: 700 mm

The stove can be fitted with a direct outside air supply kit connecting to either to the rear or base of the stove.





The Morsø S 80-90 is designed as a picture. In the words of the designer: A simple and distinctive picture frame, which elegantly and stylishly encloses the orange flames. When we created this stove, one of our basic ideas was that the glass door be perceived as a floating surface that accentuates the lightness of the design. The stove was inspired by a modern flatscreen TV, which, with its slim design and light expression, creates the illusion of a beautiful picture hanging on the wall.

S80-90

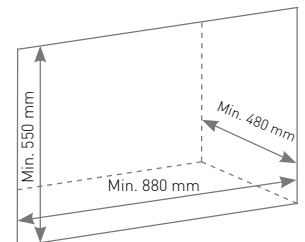
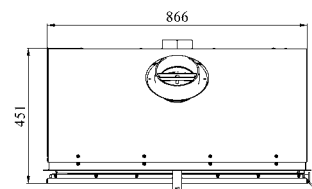
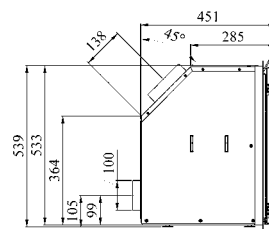
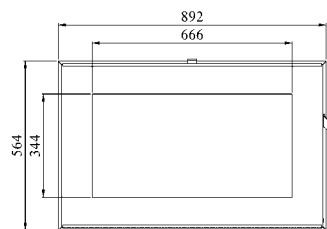


Rated output: 8 kW
 Combustion Chamber width: 67 cm
 Flue outlet, rear and top option, internal ø: . . 150 mm
 Weight: 120 kg
 Efficiency net/gross: 76.7%/79.7%
 EN 13240 and Norwegian approved

Clearance to Combustibles:

Top: 600 mm
 Sides: 400 mm
 Rear: 100 mm
 Soft Furniture: 700 mm
 To the floor: 300 mm

The stove can be fitted with a direct outside air supply kit connecting to either to the rear or base of the stove.





Multifuel

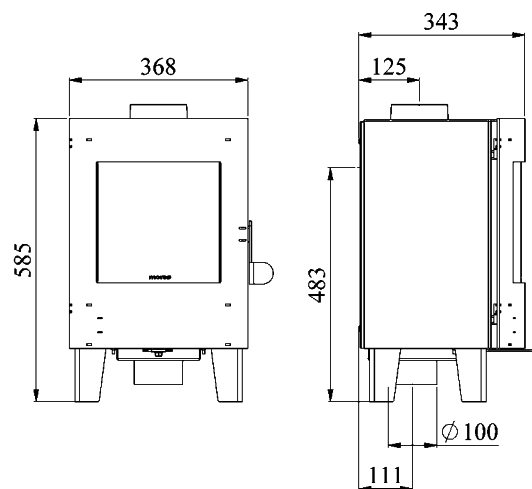
S11-42



Rated output: 4 kW
 Log length: 25 cm
 Flue outlet, rear and top option, internal ø: 125 mm
 Weight: 60 kg
 Efficiency net/gross: 83%/75.5%
 EN 13240 and Norwegian approved

Clearance to Combustibles:
 Top: 600 mm
 Sides: 300 mm
 Rear: 200 mm
 Soft Furniture: 700 mm

The stove can be fitted with a direct outside air supply kit connecting to base of the stove.





S11-40

The Morsø S 11 range is the epitome of simple, timeless design. When designing the stove, we attached a great deal of importance to creating an expression with exciting contrasts. Tight lines and soft curves. The steel's minimalistic and light expressions serve as the perfect counterbalance to the stove's large glass door, which affords a generous view of the beautiful and warming flames. The S 11 stoves make up a well-designed and inspired range within the category for low heating requirements.



Multifuel

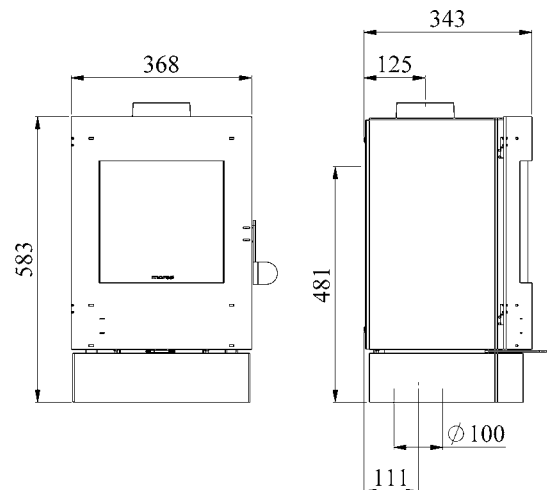
S11-40



- Rated output: 4 kW
- Log length: 25 cm
- Flue outlet, rear and top option, internal ø: 125 mm
- Weight: 61 kg
- Efficiency net/gross: 83%/75.5%
- EN 13240 and Norwegian approved

- Clearance to Combustibles:
- Top: 600 mm
- Sides: 300 mm
- Rear: 200 mm
- Soft Furniture: 700 mm

The stove can be fitted with a direct outside air supply kit connecting to base of the stove.





Multifuel

Base is available with or without door.

S11-43

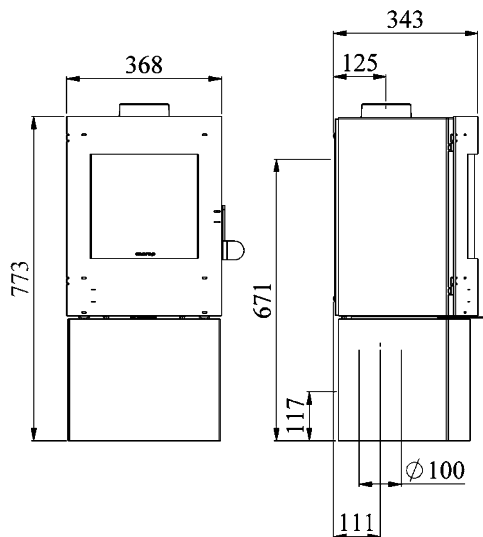


Rated output: 4 kW
 Log length: 25 cm
 Flue outlet, rear and top option, internal ø: . 125 mm
 Weight S11-43: 70 kg
 Weight S11-90 73 kg
 Efficiency net/gross: 83/75.5%
 EN 13240 and Norwegian approved

Clearance to Combustibles:

Top: 600 mm
 Sides: 300 mm
 Rear: 200 mm
 Soft Furniture: 700 mm

The stove can be fitted with a direct outside air supply kit connecting to either to the rear or base of the stove.



S11-90





Multifuel

The **Morsø S81** is a compact steel stove combined with a quality cast iron door you have come to expect from Morsø. This beautiful 4kW insert is perfect for smaller rooms and looks great either hearth or wall mounted. With its three and four-sided trim options in dark grey or brushed steel this 88% net efficient stove will suit any home."

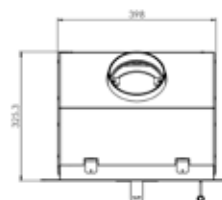
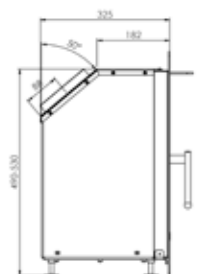
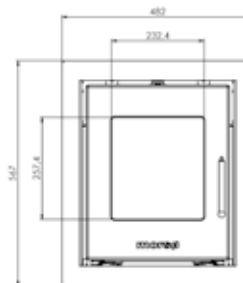
S81



Rated output: 4 kW
 Log length: 25 cm
 Flue outlet, rear and top option, internal ø.: 125 mm
 Weight: 57 kg
 Efficiency net/gross: 88%/80.5%
 EN 13240 and Norwegian approved

Clearance to Combustibles:
 Top: 600 mm
 Sides: 225 mm
 Soft Furniture: 700 mm

The stove can be fitted with a direct outside air supply kit connecting to base of the stove.



Ø-collection

The **Ø Collection** has been produced to meet the exacting standards of today's modern world. Style and function is the main philosophy behind the design, with special emphasis on simple operation and environmental impact. All three models capture the contemporary integration of steel and cast iron. The Ø collection uses our state of the art airwash system to allow you perfect viewing of the dancing flames through the large windows.



Multifuel

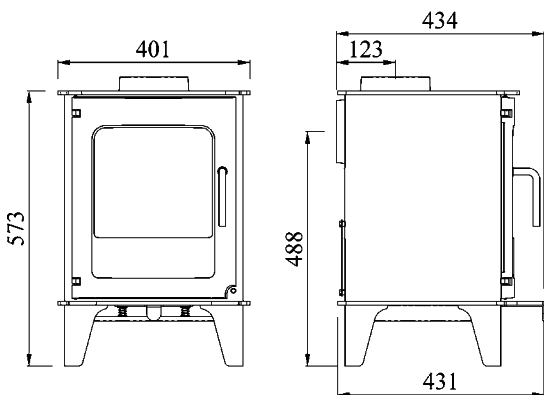
Ø4



Rated output: 5 kW
 Log length: 28 cm
 Flue outlet, rear and top option,
 internal ø: 125 mm
 Weight: 88 kg
 Efficiency net/gross: 81/73,7%
 EN 13240 approved

Clearance to Combustibles:

Top: 600 mm
 Sides: 550 mm
 Rear: 650 mm
 Soft Furniture: 700 mm



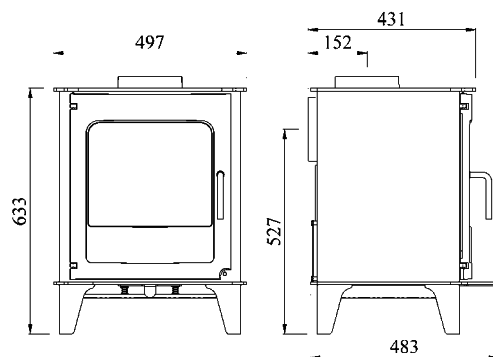
Multifuel

Ø6

Rated output: 7.7 kW
 Log length: 37 cm
 Flue outlet, rear and top option,
 internal ø: 150 mm
 Weight: 110 kg
 Efficiency net/gross: 75/68,3%
 EN 13240 approved

Clearance to Combustibles:

Top: 600 mm
 Sides: 600 mm
 Rear: 700 mm
 Soft Furniture: 1100 mm





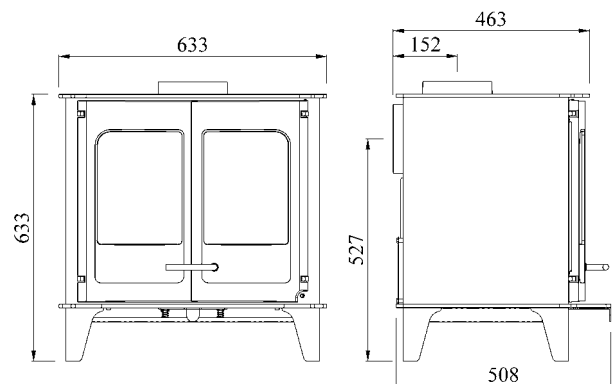
Multifuel

Ø8

Rated output: 9,3 kW
 Log length: 50 cm
 Flue outlet, rear and top option,
 internal Ø: 150 mm
 Weight: 130 kg
 Efficiency net/gross: 75/65,5%
 EN 13240 approved
 Approved to burn wood in smoke controlled areas

Clearance to Combustibles:

Top: 600 mm
 Sides: 850 mm
 Rear: 850 mm
 Soft Furniture: 1100 mm



Original accessories

It's not just the wood-burning stove itself that emits the special atmosphere of warmth and comfort in your home.



CURVA FELT BASKET

CURVA

With "CURVA", Morsø has created a functional and aesthetically beautiful piece that encompasses all the fire tools in such a way that each product in the series has its own function, and nothing is superfluous.



CURVA FIRE TOOLS



CURVA POKER



MORSØ FIREWOOD BUCKET
LARGE & SMALL

Small bucket – Ø40, large bucket Ø45.



MORSØ MOISTURE METER

Ensures that wood fuel has the correct moisture content thus maximizing fuel combustion and fuel efficiency.



FIREPLACE TOOL SET COMPLETE

H: 40 x W: 20 x D: 10,7 cm.



MORSØ FLUE GAS THERMOMETER

The Morsø flue gas thermometer is attached to the flue pipe with a magnet and is used to measure the temperature of the smoke in the flue pipe right above the stove.



MORSØ CAST IRON HUMIDIFIER

Morsø cast iron kettles are available in two sizes, 2.0 liter or 4.5 liter. Made of enameled cast iron.



MORSØ FIRE TOOLS CLASSIC

The classic Morsø, with the Morsø squirrel. Height: 69 cm.



MORSØ FIREWOOD BOX

Height x Width x Length: 30 x 38 x 45 cm.
Morsø Canvas Wood. Carrier is included.



MORSØ CANVAS WOOD CARRIER

Made of black canvas and has sturdy wooden handles.



MORSØ ASH AND STORAGE BUCKET

Height x Diameter 37 x 30 cm.

Original accessories



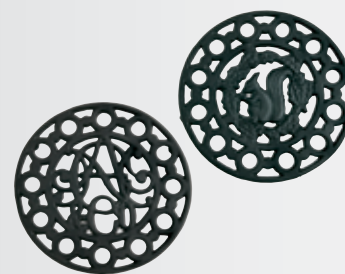
MORSØ LEATHER GLOVE

This protective glove is made of thick leather. The gloves are available for both left and right hand.



MORSØ MINI STOVE

The Morsø Mini Stove 2B Classic is made from the same high-quality cast iron and with the same impeccable craftsmanship as a regular Morsø stove.
2BUO: 270 mm (h) x 80 mm (w) x 100 mm (d)



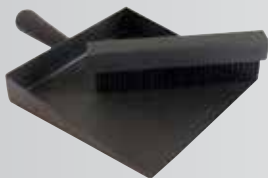
MORSØ CAST IRON TRIVET

Made with high quality cast iron, the Morsø Trivet is 7.5 cm in diameter and has a matt-black enameled coating. Two different Morsø trivets are available.



LOOP LOG RING & FIREPLACE TOOL SET

The Morsø loop Log Ring incorporates a soft rubber handle for carrying comfort and a soft rubber mat/tray. Dimensions: Mat: 62 cm x 38 cm. Loop: ø 50 cm



MORSØ DUSTPAN & BROOM

The dustpan is 20 cm wide and functionally executed with ergonomic rubber handles.



ASSEMBLY AND MAINTENANCE

Morsø advice you to use only genuine Morsø materials for installation and regular maintenance.

MORSØ CHILDGUARD

Efficient and elegant, this superbly constructed Morsø accessory is equipped with two side panels and wall fittings. Height x Width x Length: 70 x 110 x 110 cm.

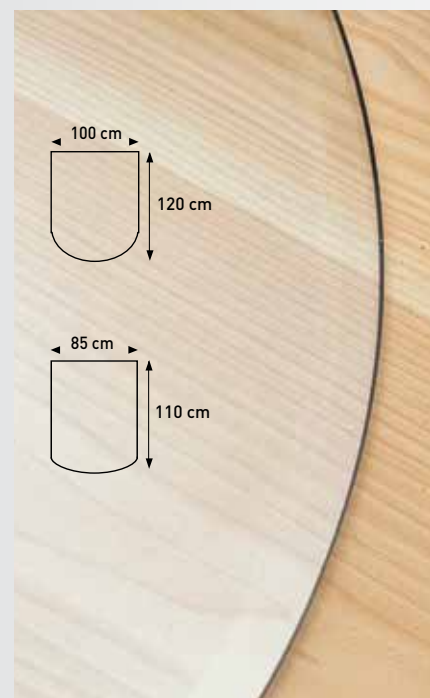


MORSØ SINUS MULTIBAKET

Sinus is novel design when it comes to firewood baskets. The innovative choice of material gives it a warm and fascinating expression. Available in two sizes and two colours: Coal-black and mocca brown. These baskets are ideal for firewood as well as for newspapers or the children's toys.

MORSØ HEARTH PLATES

The Morsø glass hearth plate is made with 12 mm clear glass that has a specially bevelled edge to give the hearth plate an elegant and exclusive look.





www.morsoe.co.uk